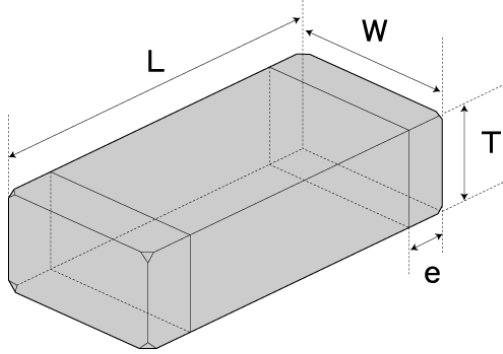


# Multilayer Chip Bead Inductors (BK series)

## BK1608TS102-T



### ■ Features

- Item Summary  
1000Ω, 300mA, 0603
- Lifecycle Stage  
Mass Production
- Standard packaging quantity (minimum)  
Taping 4000pcs

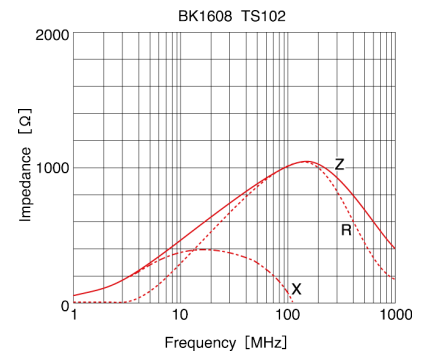
### ■ Products characteristics table

|                               |                |
|-------------------------------|----------------|
| CaseSize (EIA/JIS)            | 0603/1608      |
| Impedance                     | 1000Ω          |
| Impedance Measuring Frequency | 100MHz         |
| Rated Current                 | 300mA          |
| DC Resistance (max)           | 0.39Ω          |
| Temperature Range             | -55°C to 125°C |
| RoHS Compliance               | Yes            |
| Halogen Free                  | Yes            |
| Soldering Method              | Reflow/Wave    |

### ■ External Dimensions

|   |             |
|---|-------------|
| L | 1.6mm ±0.15 |
| W | 0.8mm ±0.15 |
| T | 0.8mm ±0.15 |
| e | 0.3mm ±0.2  |

### ■ Typical Characteristics Fig.



2013.08.20

The data is reference only. Electrical characteristics vary depending on environment or measurement condition. TAIYO YUDEN reserves the right to make change to the Date at any time without notice. Before making final selection, please check product specification.